

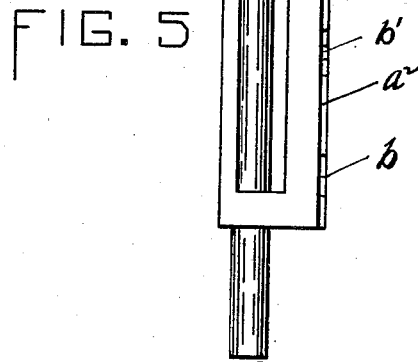
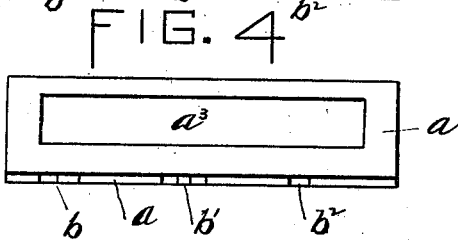
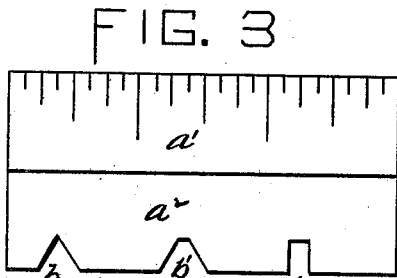
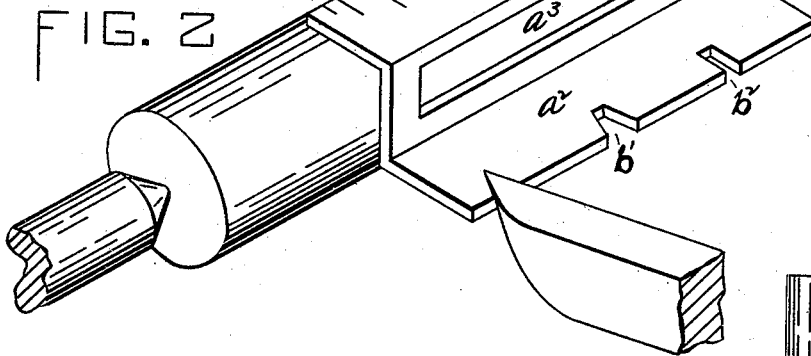
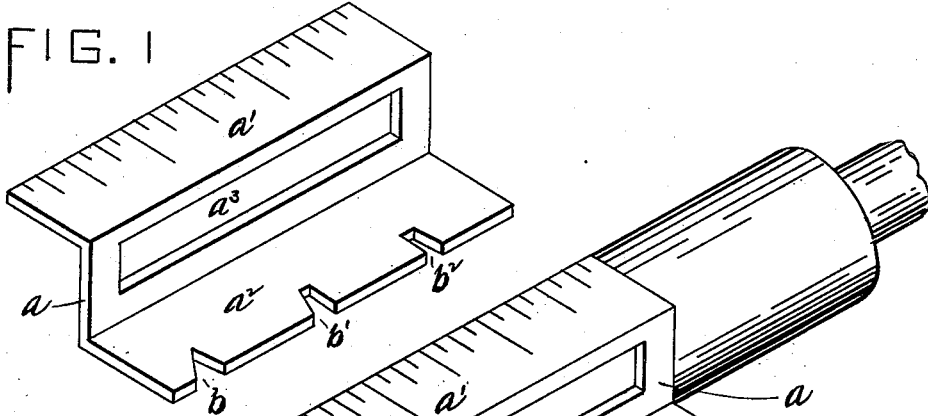
No. 630,316.

Patented Aug. 8, 1899.

J. BEACH.
MACHINIST'S TOOL.

(Application filed June 8, 1898.)

(No Model.)



Witnesses
Chas. J. Welch
Carl E. Welch

Inventor
John Beach
By his Attorney *[Signature]*

UNITED STATES PATENT OFFICE.

JOHN BEACH, OF SPRINGFIELD, OHIO.

MACHINIST'S TOOL.

SPECIFICATION forming part of Letters Patent No. 630,316, dated August 8, 1899.

Application filed June 6, 1898. Serial No. 682,646. (No model.)

To all whom it may concern:

Be it known that I, JOHN BEACH, a citizen of the United States, residing at Springfield, in the county of Clark and State of Ohio, have invented certain new and useful Improvements in Machinists' Tools, of which the following is a specification.

My invention relates to improvements in machinists' tools; and the object of my invention is to provide a device by the use of which tools used in connection with lathes may be accurately set for the work to be performed and which may also be used as a box-square for scribing on round surfaces and as an ordinary true-square.

My invention consists in the construction hereinafter described, and shown in the accompanying drawings, in which—

Figure 1 is a perspective of a device embodying my invention. Fig. 2 is a perspective view showing the use of the tool in connection with a lathe. Figs. 3 and 4 are respectively a top and side view of my improved tool. Fig. 5 is a view showing the use of the tool for scribing on round surfaces.

Like parts are represented by similar letters of reference.

In the said drawings, *a* represents a central web, which web is provided with two oppositely-projecting flanges *a'* and *a''*, said flanges being preferably placed at right angles to the plane of said central web, though the angle may be varied, if desired. One of the flanges *a'* is graduated, as shown, and the other is provided with notches *b b' b''* of the shape and size of lathe-tools, particularly screw-threaded tools. The central web *a* is also provided with a slot or opening *a'''*, the distance between the flange *a'* and the said slot being less than the distance between the flange *a''* and said slot, as shown.

The tool may be made of any suitable material, preferably hardened steel, and in any suitable manner.

A tool constructed as above described is capable of several uses: By placing on a round bar or shaft supported in lathe-centers the opening or notches *b b' b''* may be used for the purpose of setting the tools and getting them exactly true for the work to be performed. By having the ends exactly square the tool may be set up vertically and serve as an ordinary square. It may also be used

as a box-square for scribing on round surfaces, and in this case the edge of the flange *a'* or the respective sides of the opening or slot *a'''* may be used, thus furnishing the means for scribing on various-sized shafts or rods—that is, by having one side of the slot *a'''* in close proximity to the flange *a'* the tool may be used for scribing on a shaft of small diameter, as shown in Fig. 5, while for shafts or round surfaces of larger diameters or arcs the opposite side of the slot or the outer side of the flange *a'* may be used. By reversing the position of the tool, so that the flange *a''* will rest against the round surface to be scribed upon, it will be seen that owing to the fact that the sides of the said slot are of different distances from this flange than from the other flange *a'* the said tool may then be used for scribing on round surfaces or shafts of still different arcs or diameters.

Having thus described my invention, I claim—

1. In a tool, a central web, the respective sides of which are provided on diagonally opposite edges with flanges which project in opposite directions, one of said flanges being provided with notches, substantially as and for the purpose specified.

2. In a tool, a central web, the respective sides of which are provided on diagonally opposite edges with flanges, said flanges extending in opposite directions, said web being also provided with a slot, the distance between one of said flanges and said slot being less than the distance between said slot and the other flange, substantially as specified.

3. In a tool, a central web provided with two flanges, the respective flanges being on diagonally opposite edges of the respective sides of said web and projecting in opposite directions, one of said flanges being graduated and the other provided with notches as described, said central web being also provided with a slot or opening, substantially as specified.

In testimony whereof I have hereunto set my hand this 24th day of May, A. D. 1898.

JOHN BEACH.

Witnesses:

CHAS. I. WELCH,
EARL G. WELCH.